



This data sheet interacts with

GV3 and SL2 Catalogues

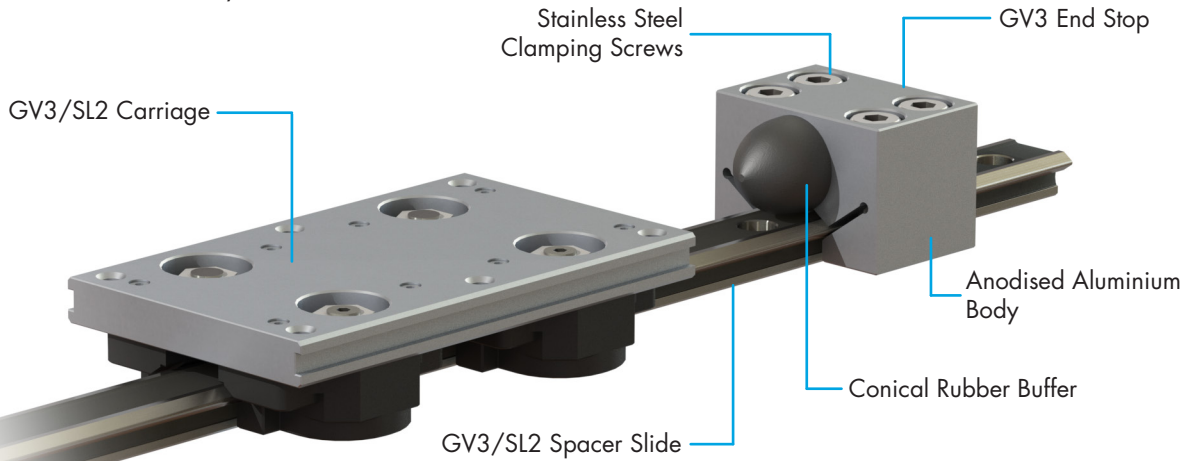


HepcoMotion®

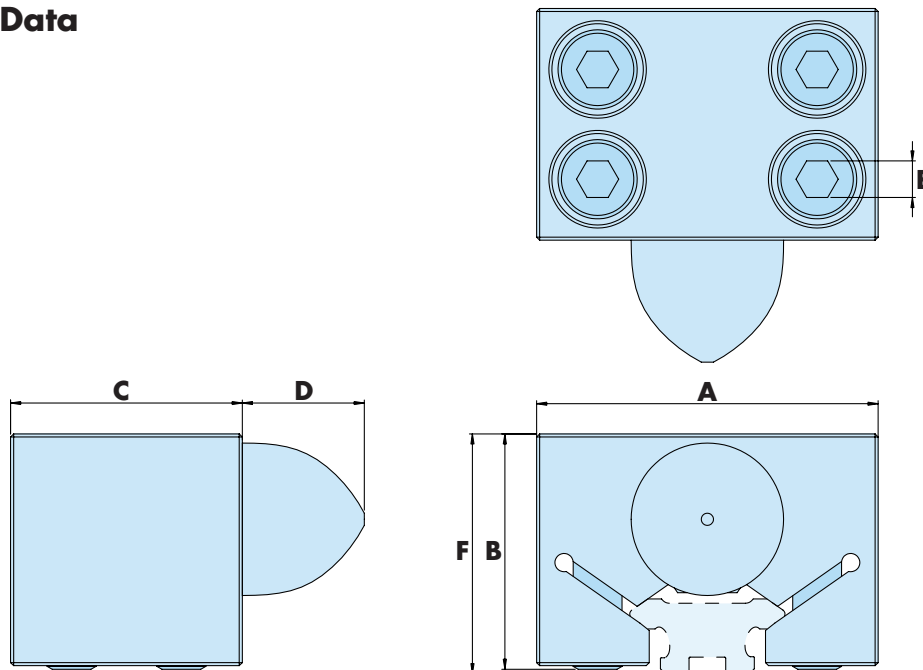
GV3 End Stop

HepcoMotion End Stops are now available to suit GV3 and SL2 spacer and flat slides from 25 to 120mm wide. They are designed to provide a physical stop to the linear movement, and impact protection should a system overrun. The conical buffer provides a controlled deceleration to the carriage to protect the system and payload.

Suitable for use with all grades of GV3 slide and compatible with SL2 stainless steel slides, the end stops can be positioned anywhere along the length for maximum flexibility.



Dimensional Data

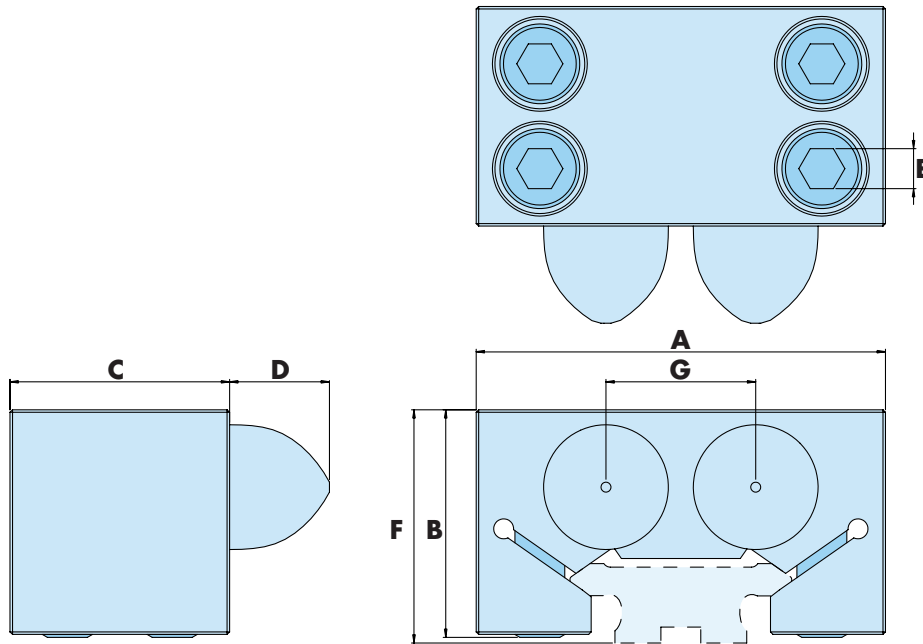


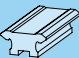
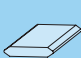


End Stop	For use with				A	B	C	D	E	F
	GV3 Slides		SL2 Slides							
	Spacer	Flat ¹	Spacer	Flat ¹						
ESNS25	NS25	S25	SSNS25	SSS25	56	38.6	38	19	6	39.5
ESNS35	NS35	S35	-	SSS35	69	38.6	38	19	6	39.5
ESNS50	NS50	S50	-	SSS50	84	38.6	38	19	6	39.5

Note

- To fit end stop sizes ESNS25, ESNS35 and ESNS50 to non-counterbored GV3/SL2 flat slides, the end stops must be fitted before the fixing screws for mounting the flat slide.

GV3 End Stop



End Stop	For use with				A	B	C	D	E	F	G
	GV3 Slides		SL2 Slides								
	Spacer 	Flat 	Spacer 	Flat 							
ESNM44	NM44	M44	SSNM44	SSM44	82	45.6	44	19	8	46.5	30
ESNM60	NM60	M60	-	SSM60	100	45.6	44	19	8	46.5	44
ESNM76	NM76	M76	-	SSM76	118	50.6	44	19	8	51.5	50
ESNL76	NL76	L76	SSNL76	SSL76	122	67.6	48	40	10	68.5	50
ESNL120	NL120	L120	-	-	164	72.6	60	40	10	73.5	90

Technical Data

End Stop	Clamping Screw Torque (Nm)	Maximum Static Force (N)* ¹	Maximum Impact Energy (J)* ²	End Stop	Clamping Screw Torque (Nm)	Maximum Static Force (N)* ¹	Maximum Impact Energy (J)* ²
ESNS25	23	1000	6	ESNM60	47	2000	18
ESNS35	23	1000	6	ESNM76	47	2000	18
ESNS50	23	1000	6	ESNL76	80	6000	36
ESNM44	47	2000	18	ESNL120	80	6000	36

Notes:

1. Indicates maximum force that can be applied to the GV3 end stop under gradual application.
2. Indicates maximum energy that can be absorbed by the GV3 end stop under sudden impact conditions.
3. GV3 End Stops are intended for infrequent impacts. Please see HepcoMotion SH shock absorber catalogue for units suitable for repeated impacts.

Ordering Example

Part number ESN M44

Size to suit GV3/SL2 slide _____

HepcoMotion®, Lower Moor Business Park,
Tiverton Way, Tiverton, Devon, England EX16 6TG

Tel: +44 (0) 1884 257000

Fax: +44 (0) 1884 243500

E-mail: sales@hepcotion.com

www.HepcoMotion.com

